

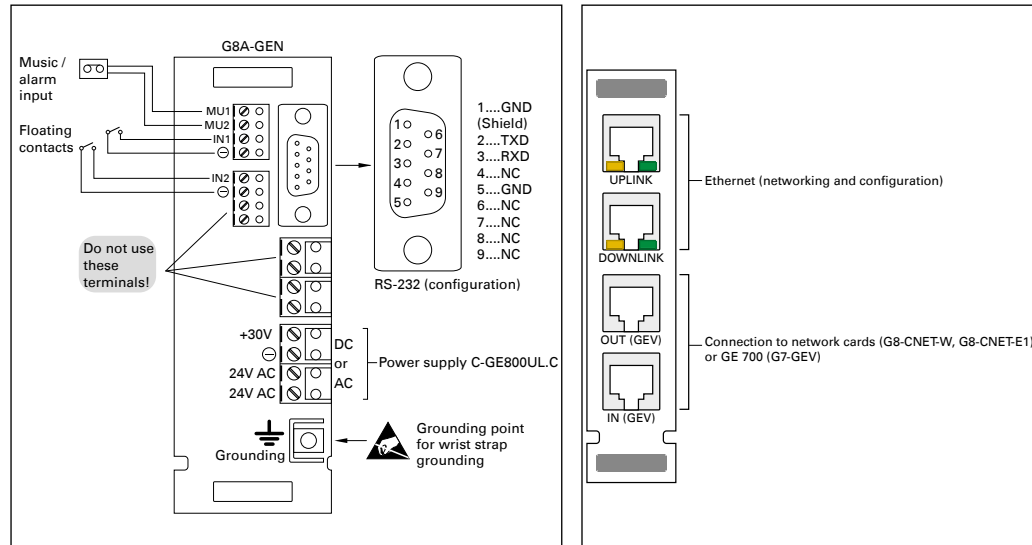
Intercom Server C-GE800UL.C

Digital IP Intercom Server for connection of up to 56 digital, 56 analogue or 112 IP subscribers.

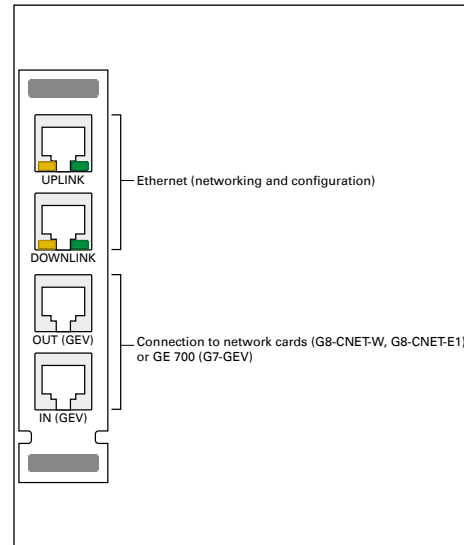
Extent of supply

- Intercom Server GE 800
- G8-GEN (power supply card)
- G8-GEP (processor card)
- G8-NET (networking card)
- G8A-GEN (installation board)
- G8A-NET (installation board)

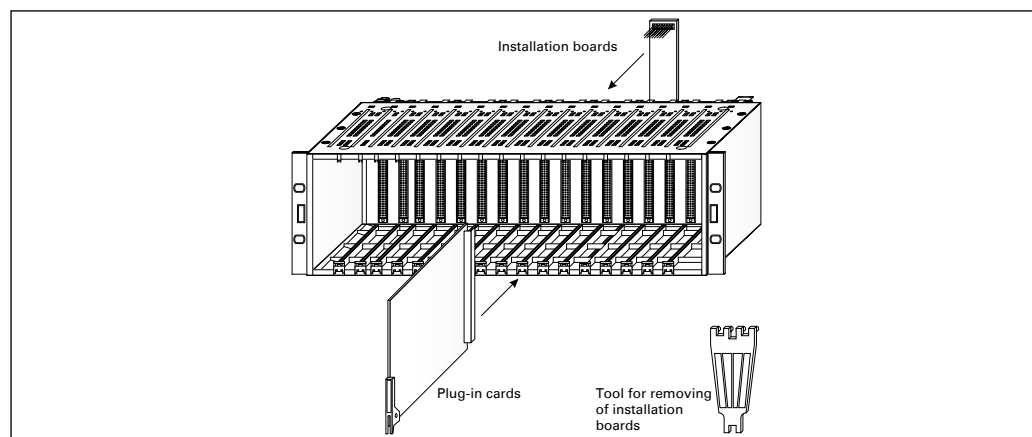
Connection G8A-GEN



Connection G8A-NET



Installation



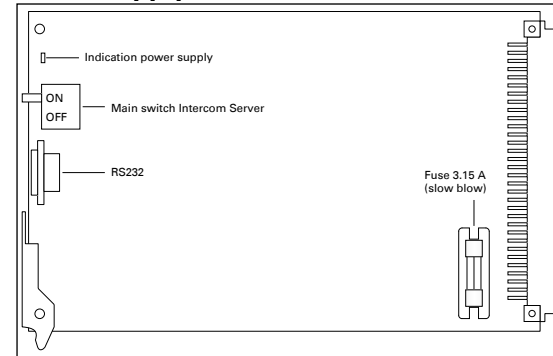
Latest software and documentation

To download the latest software and documentation, enter the PIN code to the right at pin.commend.com

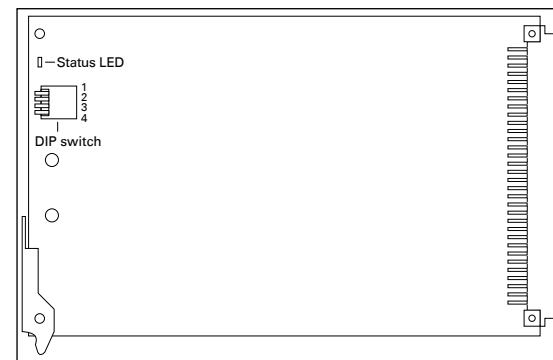


pin.commend.com

Power supply card G8-GEN



Processor card G8-GEP

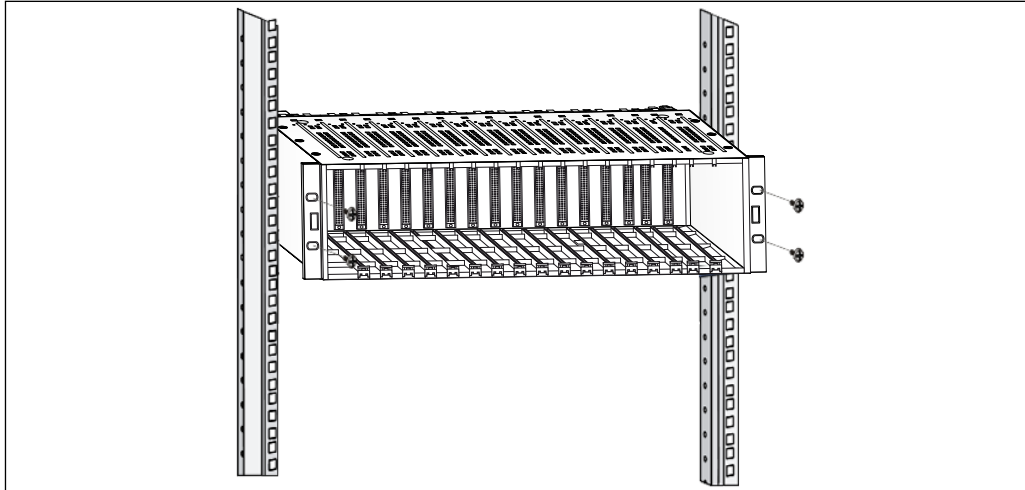


Safety warnings

- This device shall be installed or replaced by trained and qualified personnel only.
- Only use recommended tools when installing the device.
- Do not place the device in areas where it may become wet or damp, and avoid dusty, humid and high temperature environments.
- All connected circuits shall fulfil the requirements for Safety Extra Low Voltage (SELV) and Limited Power Source (LPS) according to UL 60950-1.
- Only accessories that comply with the device's technical specifications shall be used.
- Use shielded Ethernet cables only.
- Before using the device, ensure all cables are connected correctly and not damaged.
- This equipment has been tested and found to comply with the limits for a Class A digital device, pursuant to part 15 of the FCC rules. These limits are designed to provide reasonable protection against harmful interference when the equipment is operated in a commercial environment. This equipment generates, uses and can radiate radio frequency energy and, if not installed and used in accordance with the instruction manual, may cause harmful interference to radio communications. Operation of this equipment in a residential area is likely to cause harmful interference in which case the user will be required to correct the interference at his own expense.
- Disconnect the power cable from the device for any maintenance.
- Allow the device to cool down completely before touching parts inside.
- Do not make any unauthorised modifications to the device.
- If heavy electromagnetic interference is to be expected (industrial environments), then grounding of the Intercom Server is mandatory.
- The earth terminal of the installation board G8A-GEN is used as grounding point for wrist strap grounding.
- **Attention:** This is a Class A product. In a domestic environment this product may cause radio interference in which case the user may be required to take adequate measures.

Mounting the Intercom Server into a 19" rack

Depending on the rack specification 10-32, 12-24 or M6 screws have to be used for mounting the C-GE800UL.C into a 19" rack.



Note:
As the C-GE800UL.C may be installed in closed and multiunit standard racks and cabinets, this product has been determined to be suitable for use in an ambient temperature not exceeding the manufacturer's recommended ambient temperature as specified in the equipment's installation instructions

Additional Information

Basic housing, with bus pcb for 17 plug-in slots: processor card, connection card, power supply card, slot 1 to 14 available for subscriber cards and/or interface cards.

Markings and instructions

Clause Title	Marking or Instruction Details
Safety Instructions - Rack Mount	<p>"Rack Mount Instructions - The following or similar rack-mount instructions are included with the installation instructions:</p> <p>A) Elevated Operating Ambient - If installed in a closed or multi-unit rack assembly, the operating ambient temperature of the rack environment may be greater than room ambient. Therefore, consideration should be given to installing the equipment in an environment compatible with the maximum ambient temperature (T_{ma}) specified by the manufacturer.</p> <p>B) Reduced Air Flow - Installation of the equipment in a rack should be such that the amount of air flow required for safe operation of the equipment is not compromised.</p>

	<p>C) Mechanical Loading - Mounting of the equipment in the rack should be such that a hazardous condition is not achieved due to uneven mechanical loading.</p> <p>D) Circuit Overloading - Consideration should be given to the connection of the equipment to the supply circuit and the effect that overloading of the circuits might have on overcurrent protection and supply wiring. Appropriate consideration of equipment nameplate ratings should be used when addressing this concern.</p> <p>E) Reliable Earthing - Reliable earthing of rack-mounted equipment should be maintained. Particular attention should be given to supply connections other than direct connections to the branch circuit (e.g. use of power strips)."</p>
Power rating - Company identification	Listee's or Recognized company's name, Trade Name, Trademark or File Number
Power rating - Model	Model Number
<p>Special Instructions to UL Representative</p> <p>Please check:</p> <p>- 1) The card next to the power supply card, in this case the processor card, shall be locked and one shall not be able to remove the processor card without the help of a tool.</p> <p>- 2) The relays on the internal power supply card, SR1 and SR2 may be assembled, but are not allowed to be indicated in any way by marking on the connector print H-G8A-GEN or in the documentation Or the relays are not assembled and there is no reference in the documentation or what so ever.</p>	

Handling

Use the original packaging when transporting the device to prevent damage.



Observe the precautions for handling of electrostatic sensitive devices.

Disposal and recycling



Equipment with this symbol shall not be disposed of together with household or commercial waste.

The directive 2012/19/EU on waste electrical and electronic equipment (WEEE) is applicable in the European Union member states.

Manufacturer's reference



CE - This device complies with the directives listed below by fulfilling corresponding standards:

- Electromagnetic compatibility (directive 2014/30/EU)
- The restriction of the use of certain hazardous substances in electrical and electronic equipment (directive 2011/65/EU)



UL - Information technology equipment (E file number E351589)

FCC - CAN ICES-3 (A)/NMB-3(A); for the FCC Rules, see "Safety warnings"



Contact Commend USA: Commend Inc, 63 Ramapo Valley Road, Suite 201, Mahwah, NJ 07430 (New York Area), www.commendusa.com

For technical specifications, see the respective manual.

For the latest software and documentation, visit: www.commend.com

Keep this description in safe custody.



UL 60950-1, 2nd Edition, 2011-12-19 (Information Technology Equipment - Safety - Part 1: General Requirements)